

Model 5455 SD Serial Digital Protection Switch Data Pack

ENSEMBLE

D E S I G N S

Revision 1.3 SW v2.2.00

This data pack provides detailed installation, configuration and operation information for the **5455 SD Serial Digital Protection Switch** module as part of the Avenue Signal Integration System.

The module information in this data pack is organized into the following sections:

- Module Overview
- Applications
- Installation
- Cabling
- Module Configuration and Control
 - Front Panel Controls and Indicators
 - Avenue PC Remote Control
 - Avenue Touch Screen Remote Control
- Troubleshooting
- Software Updating
- Warranty and Factory Service
- Specifications

MODULE OVERVIEW

The 5455 Serial Digital Protection Switch module is a fail-safe protection switch for monitoring and switching critical digital paths for standard definition broadcast or satellite applications.

When a fault is detected in the Primary input and the Secondary input is verified as good, the switch will activate, causing the Secondary input to be switched to the module's output. The 5455 includes a fail-safe bypass which connects the Primary input directly to one of the 6 module outputs. This passive, fail-safe path ensures that there is an output even in the event of a total power failure.

The 5455 can operate in two modes: automatic or non-resetting. In fully automatic mode, the 5455 will automatically switch back to the Primary signal once it has been restored. In non-resetting mode, the Secondary input remains routed to the output even after the Primary input has recovered. In this case, manual intervention is needed to throw the switch back to the Primary input. With Auto mode turned off, a fault in the Primary signal will generate an alarm but no switching will occur.

The 5455 monitors the integrity of the serial digital input stream and analyzes its audio and video content. Signal health and fault detection of SD-SDI signals is determined by monitoring any or all of the following parameters, in order of increasing complexity:

- **Timing Reference Signal (TRS)** – This parameter checks for the persistent loss of digital sync by looking for the correct Timing Reference Signal carried in the serial video stream. When this digital sync format is correct, the signal is considered good.
- **Black** – Black detection is based on three configurable parameters: black level threshold, black pixel count, and black duration time. All of these parameters can be set using the menu system to meet the needs of specific video signal inputs.
- **Embedded Audio** – This parameter will look for correctly configured embedded audio packets in the horizontal intervals of the signals. The actual audio content of the packets is further analyzed to detect silence. Specific audio parameters, such as audio group, silence threshold level, and audio silence duration can be configured in the Avenue PC and Touch Screen menus.
- **Freeze** – This parameter checks for a freeze condition as determined by the settings selected in the **Freeze** menu.

A sophisticated black detection system is employed to activate the switch in the event signal is lost. It allows the user to select not only the threshold and percentage of non-black pixels, but also the portion of the picture to be considered. The area of the picture checked is determined by selecting **Small Window** which is approximately two thirds of the picture width and height, or **Big Window** which covers approximately 90% of the width and height. This allows a corner Bug to be either excluded or included in the detection process.

Black detection is performed on a pixel-by-pixel basis within the selected window, with user selectable **Detect Level** and **Blk Frac** adjustments. Pixels above the **Detect Level** are considered as being non-black. **Blk Frac** sets the percentage of pixels which must be non-black. If **Detect Level** is set to 12 IRE and **Blk Frac** is set to 10% then the 5455

expects there to be pixel levels above 12 IRE for more than 10% of each frame. For example, if **Blk Time** is set to 3 seconds, if less than 10% of the pixels in each frame are above the selected 12 IRE level for a period of 3 seconds, a switch will occur.

Pri Valid and **Sec Valid** are dynamic values based on incoming video. In the above example, if **Pri Valid** fell below **Blk Frac** continuously for 3 seconds there would be a switch, provided that there is valid secondary video. Note however, that the display may not keep pace with short duration transitions of actual video. In the example, a blip above 12 IRE for a single frame every 2 seconds would prevent a switch from taking place, since the 3 second count would be reinitialized by these valid frames.

The block diagram below illustrates the signal flow of the 5455. Note that in the event of power failure, the passive relay passes the primary input to the Relay Protected Output.

The Primary and Secondary inputs pass through serial digital receiver/equalizers for buffering. When a fault is detected in the Primary input, and the Secondary input is seen as not faulted, the electronic solid state switch will activate, switching the Secondary input to the output.

Each of the signals is fed to identical detection circuits which evaluate multiple parameters and characteristics of the signal in order to arrive at a fault decision. Detection of TRS errors is done in a Receiver/Reclocker circuit which produces a reclocked serial output feeding a Deserializer circuit. The output of this section then feeds a Field Programmable Gate Array (FPGA) where the signals are vetted, or tested for configured parameters. The Signal Vetter™ process in the FPGA detects the parameters chosen by the user using either the front panel controls or through the Avenue PC or Touch Screen menus. Each of the chosen aspects are monitored independently, and when they fail to meet the vetted standard, a fault condition is issued.

Fault conditions can be monitored with an external alarm system or other device through the 15-pin **Control** connector on the corresponding rear backplane connector. The Form C relays status outputs from this connector can be monitored by a device to show Primary and Secondary signal status and the current position of the protect switch (Primary or Secondary).

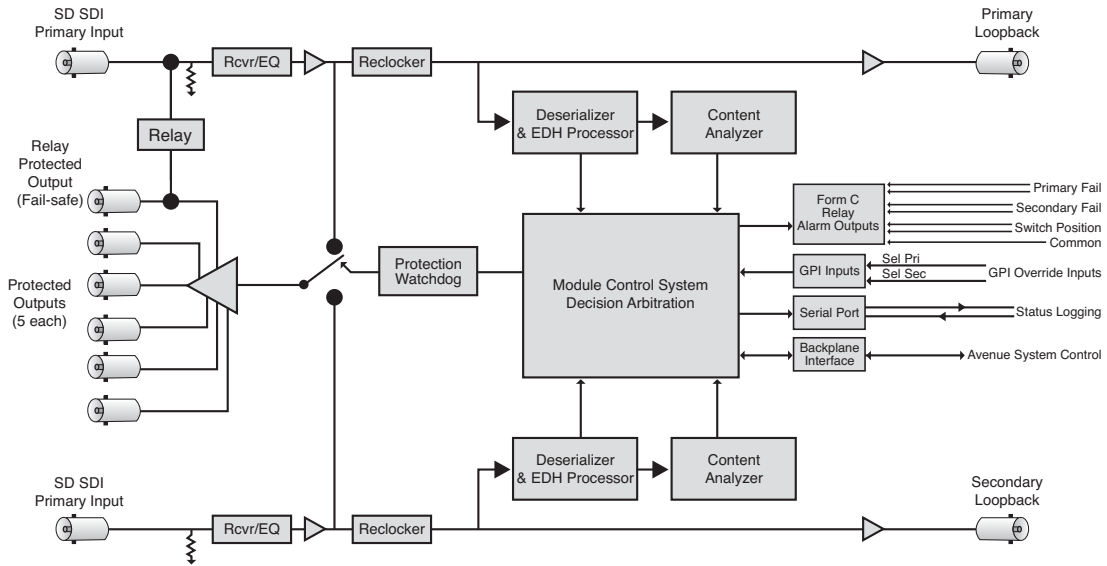
Two GPI Override Inputs are available to allow changing switch position in response to triggers from an external source. This can be used to manually reset the switch after the Primary has recovered from a fault condition or set to respond to a signal state from an external device to trigger a switch.

The on-board CPU can monitor and report module ID information (slot location, software version and board revision), and power status to the optional frame System Control module. This information can be accessed by the user or set to register an alarm if desired using the remote control options available.

Every function and parameter on the module can be controlled from an Avenue Touch Screen Control Panel or the Avenue PC Control Application. Memory registers can be used to save the complete configuration of the module, making it easy to change instantly between different configurations.

Model 5455 Serial Digital Protection Switch

Modules at software version 2.2.0 or later support SNMP (Simple Network Management Protocol) monitoring. For each applicable signal processing module, module, signal, and reference status are reported. For complete details on using SNMP monitoring, refer to the **Avenue System Overview** in the manual that accompanies each frame.



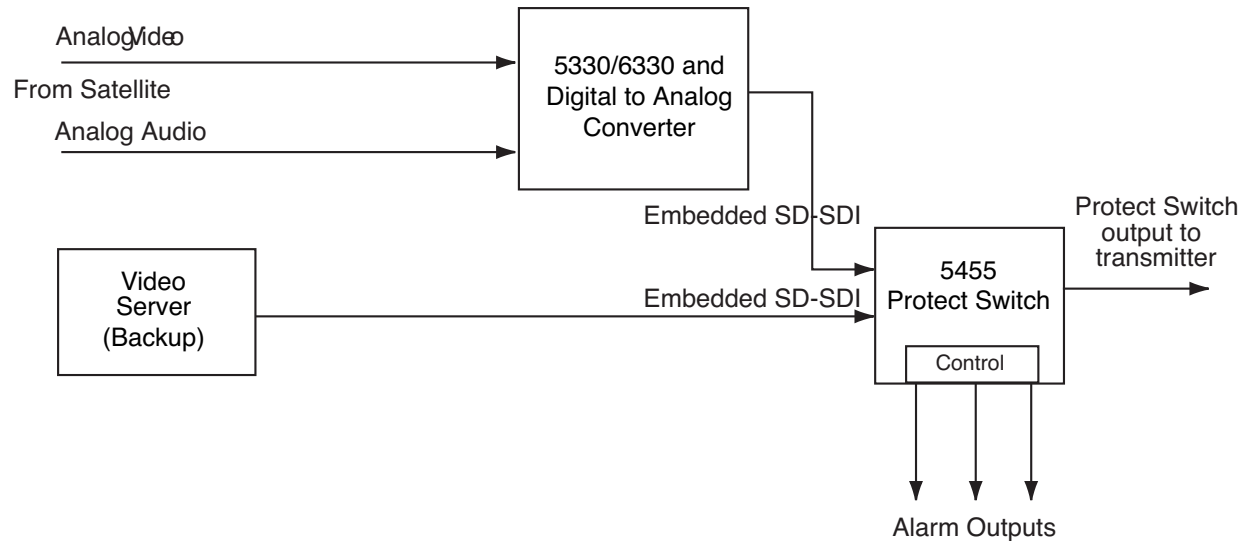
5455 Serial Digital Protection Switch

APPLICATIONS

Auto-Switched Upconversion Application

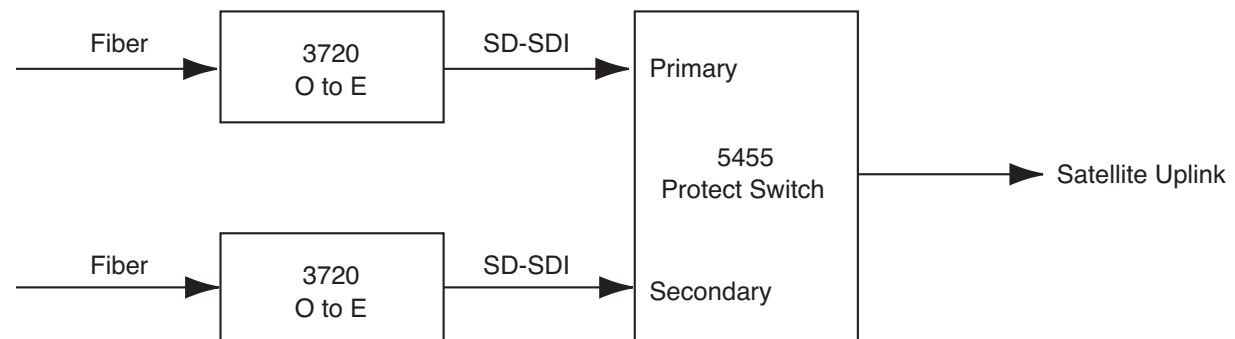
The diagram below shows a typical use for the 5455 module, where it is used in conjunction with an incoming satellite feed. The Primary input is backed up with a Secondary input from a video server.

Relay circuits accessible from the 15-pin D Control connector on the rear backplane can be connected to alarms for monitoring Primary and Secondary status and switch position.



Fiber Feed Application

In the example below, a fiber feed goes to an Avenue 3720 optical-to-electrical converter and into the 5455. The 5455 evaluates the SD-SDI signal health of both feeds and switches to the Secondary feed if required.



INSTALLATION

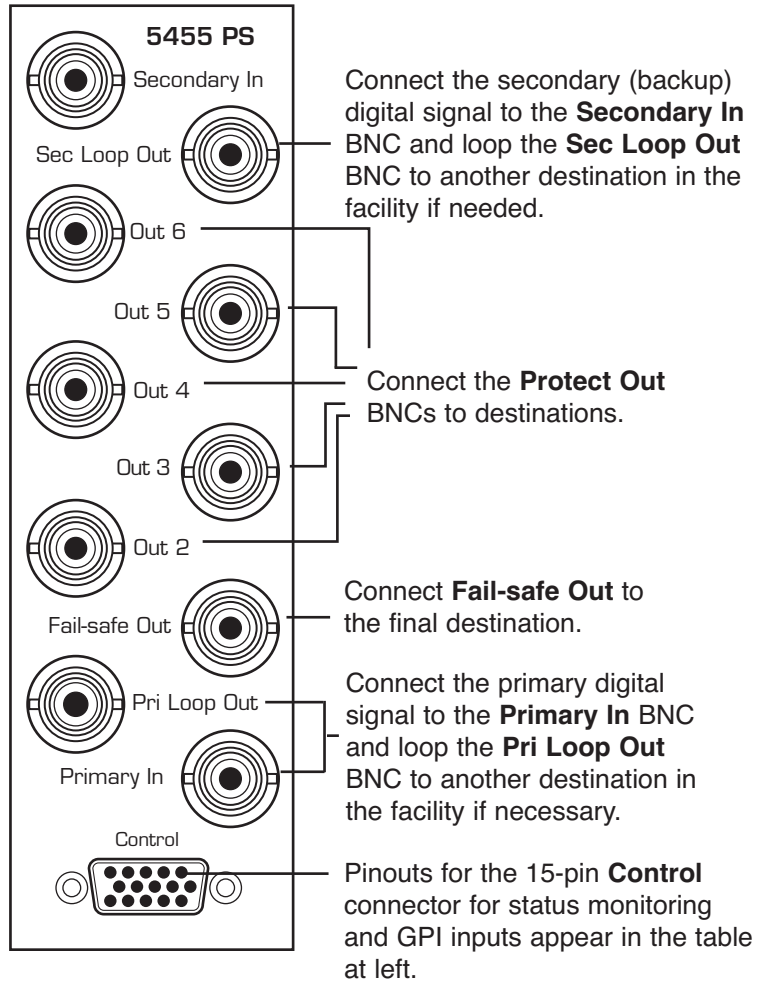
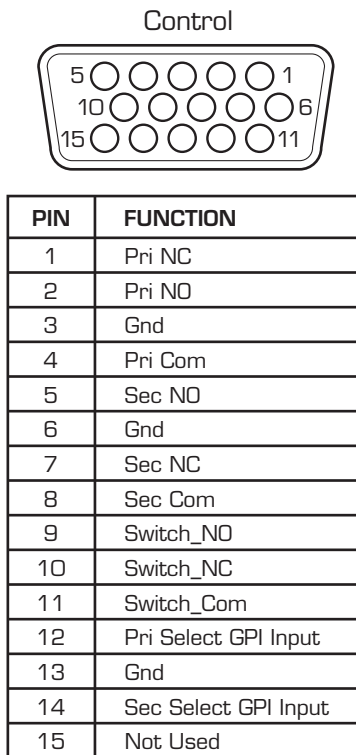
Plug the 5455 module into any one of the slots in the 1 RU or 3 RU frame and install the plastic overlay provided onto the corresponding group of rear BNC connectors associated with the module location. Note that the plastic overlay has an optional adhesive backing for securing it to the frame. Use of the adhesive backing is only necessary if you would like the location to be permanent and is not recommended if you need to change module locations. This module may be hot-swapped (inserted or removed) without powering down or disturbing performance of the other modules in the system.

CABLING

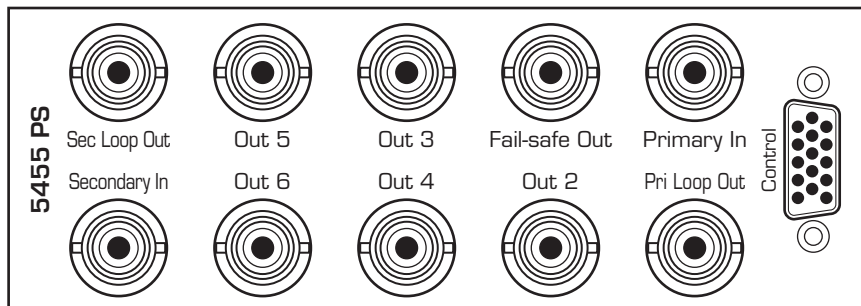
Refer to the 3 RU and 1 RU backplane diagrams of the module on the following page for cabling instructions. Unless stated otherwise, the 1 RU cabling explanations are identical

3 RU Backplane

to those given in the 3 RU diagram.



1 RU Backplane



Status and Alarm Cabling

In addition to full monitoring and access through the control system, the module provides contact closure status indications through the 15-pin **D Control** connector on the corresponding rear slot of the frame. These connections can drive an alarm system or other external monitoring devices including LEDs. Two override GPI Inputs can also be accessed through the connector. Pinouts for the status monitoring are given in the preceding illustration.

Form C relay contacts provide both NO (Normally Open) and NC (Normally Closed) switching to indicate fault status of the Primary and Secondary inputs and the protection switch output. Both the NO and NC contacts are simultaneously available on the **Control** connector. Each output is independently strappable to provide Ground, current limited +5V (1k resistor), or a Common which appears on the D connector.

The three relay contacts provide the following status reporting:

- **Primary Good or Failed** – indicates Primary input status as Good when NO contact is active (switched to Common).
- **Secondary Good or Failed** – indicates Secondary input status as Good when NO contact is active (switched to Common).
- **Switch Position** – indicates the position of the protect switch as either Primary or Secondary selected. The normal position corresponds to the Primary feeding the input.

An individual common is provided to each of the relays. For each of the three status relays there is a 3-position jumper on the module which configures the common signal that will be used by that relay. The choices are as follows:

- **COM** – uses the user-provided common signal from the **Control** connector.
- **+5** – provides a +5V signal through a 1k Ω resistor to the relay common.
- **Gnd** – uses ground as the relay common.

Because both the NO and NC connections are provided, it is possible to have independent status lines for each of the two states of a status signal. For example, if the jumper is set to **+5V**, the Primary NO output will source +5V when the relay is in the normal position (Signal Failed) and the Primary NC output will source the +5V when the relay is closed (Signal Good). Additionally in the case of selecting **+5V** as the common, the 1k Ω resistor on the module will act as a current limiter, allowing the direct connection of ordinary LEDs to each of these output pins. A green LED could be connected to the NC output and a red LED to the NO output. This provided very complete and explicit indication to the operator as to the signal status.

Also available through the **Control** connector are two Override GPI inputs that when closed to ground, will force the switch to either Primary or Secondary. The GPI inputs are edge-triggered on a negative pulse, or simply a falling edge. These inputs may also be used to switch back to the Primary after a fault has cleared.

MODULE CONFIGURATION AND CONTROL

The configuration parameters for each Avenue module must be selected after installation. This can be done remotely using one of the Avenue remote control options or locally using the module front panel controls. Each module has a **REMOTE/LOCAL** switch on the front edge of the circuit board which must first be set to the desired control mode.

The configuration parameter choices for the module will differ between **Remote** and **Local** modes. In **Remote** mode, the choices are made through software and allow more selections. The **5455 Parameter Table** on the following page summarizes and compares the various configuration parameters that can be set remotely or locally and the default/factory settings. It also provides the default User Levels for each control. These levels can be changed using the Avenue PC application.

If you are not using a remote control option, the module parameters must be configured from the front panel switches. Parameters that have no front panel control will be set to a default value. The **Local** switches are illustrated in the **Front Panel Controls and Indicators** section following the **5455 Parameter Table**.

Avenue module parameters can be configured and controlled remotely from one or both of the remote control options, the Avenue Touch Screen or the Avenue PC Application. Once the module parameters have been set remotely, the information is stored on the module CPU. This allows the module be moved to a different cell in the frame at your discretion without losing the stored information. Remote configuration will override the switch settings on the front edge of the module.

For setting the parameters remotely using the Avenue PC option, refer to the **Avenue PC Remote Configuration** section of this document.

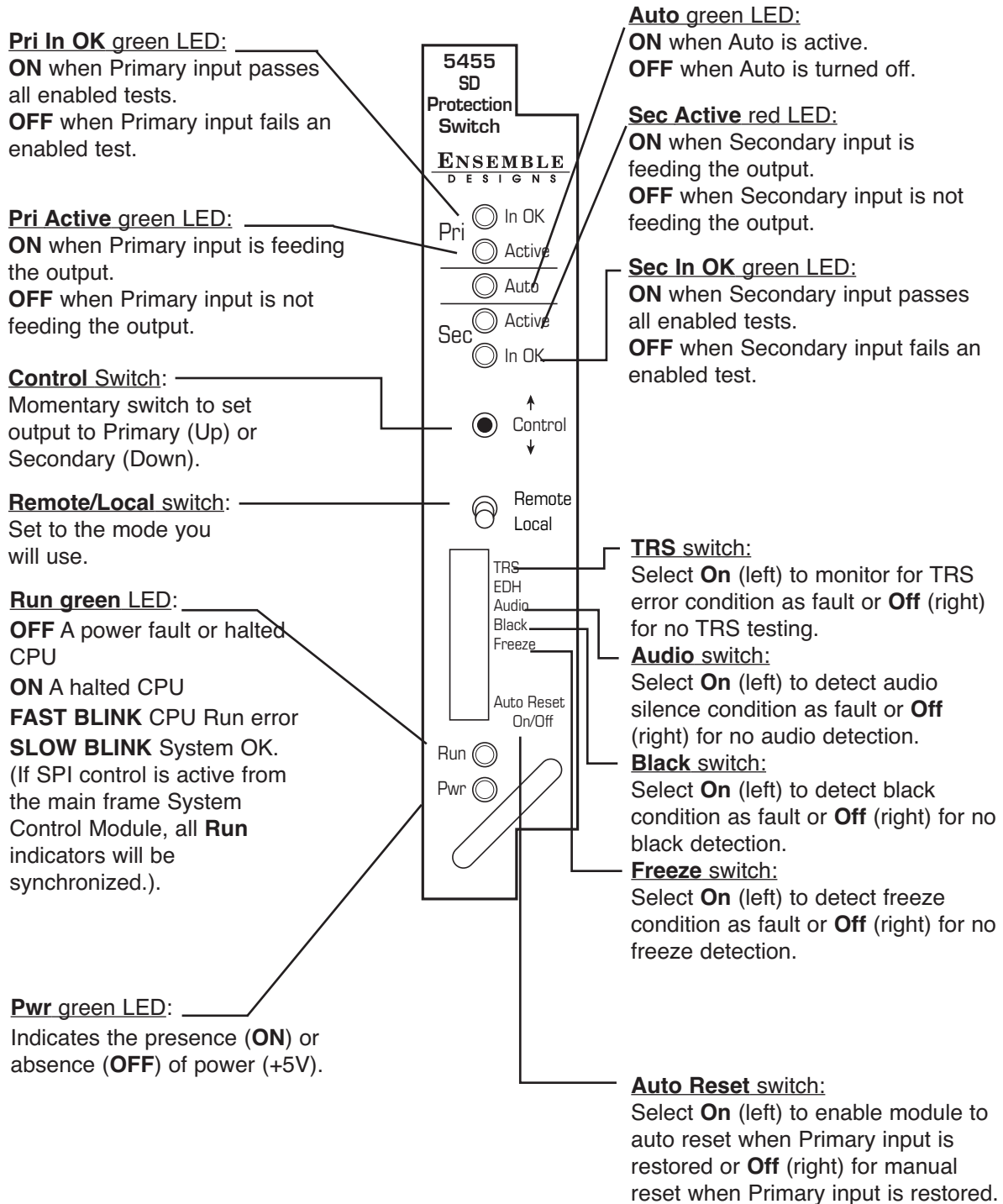
For setting the parameters remotely using the Avenue Touch Screen option, refer to the **Avenue Touch Screen Remote Configuration** section of this document.

5455 Parameter Table

CONTROL	LOCAL	REMOTE	DEFAULT	USER LEVEL
Auto Reset	On	On Off	On	Admin
Reset Time	15 seconds	0 - 60 seconds	15 seconds	Admin
TRS Test	Switch 1: On Off	Off Lenient Strict	Lenient	Admin
Audio Detect	Switch 3: On Off	On Off	On	Admin
Black Detect	Switch 4: On Off	On Off	On	Admin
Freeze Test/Mode	Switch 5: On Off	Off Clean Source Noisy Source	Off	Admin
Sec Test Enable	On	On Off	On	Admin
Window	Big	Small Big	Big	Admin
Black Time	3 sec	0 – 300 sec	3 sec	Admin
Detect Level	10 IRE	0 – 100 IRE	10 IRE	Admin
Black Fraction	50%	0 – 100%	50%	Admin
Audio Group	Group 1	Group 1 Group 2 Group 3 Group 4	Group 1	Admin
Audio Threshold	-20 VU	0 VU -5 VU -10 VU -15 VU -20 VU -25 VU -30 VU -35 VU -40 VU	-20 VU	Admin
Audio Time	3 sec	.5 – 20 sec	3 sec	Admin
Audio Channel Enable	Enabled Enabled Disabled Disabled	Ch1 enable/disable Ch2 enable/disable Ch3 enable/disable Ch4 enable/disable	Enabled Enabled Disabled Disabled	Admin
Freeze Time	3 sec	0 – 300 sec	3 sec	Admin
Pri GPI Mode	Neg Edge Switch	Off Neg Edge Switch Ext Fault Low Ext Inhibit Low	Neg Edge Switch	Admin
Memory Registers	Last Saved	1 – 5	Last Saved	Level 1

Front Panel Controls and Indicators

Each front edge indicator and switch setting of the 5455 is shown in the diagram below:



Avenue PC Remote Configuration

The Avenue PC remote control status menus for the 5455 module are illustrated and explained below. Refer to the **5455 Parameter Table** for a summary of available parameters that can be set remotely through the menus illustrated. For more information on using Avenue PC, refer to the Avenue PC Control Application Software data pack that came with the option.

Parameter fields that are grayed out can indicate one of the following conditions:

- An option is not installed.
- The function is not active.
- The module is locked.
- The User Level set with Avenue PC is not accessible from the current User Level.

5455 Avenue PC Menus

The **Status** menu screen shown below displays overall status of selected parameters on both the Primary and Secondary inputs as Green = Good, Red = Bad, Gray = Not enabled. It allows you to set the **Auto Reset** and **Reset Time** controls for the switching function.

- **Pri Status** – shows the status of the Primary Timing Reference Signal (**TRS**), embedded audio present and correct (**Aud**), black detected as defined in the **Black Detect** menu (**Blk**), and if frozen video is detected as defined in the **Freeze** menu (**Frz**).

The **Pri Status** window on the right will display the status of the Primary and can be monitored with the Avenue PC alarm function.

(Second indicator with ... is unused.)

- **Sec Status** – shows the status of the Secondary input's Timing Reference Signal (**TRS**), embedded audio present and correct (**Aud**), and black detected as defined in the **Black Detect** menu (**Blk**), and if frozen video is detected as defined in the **Freeze** menu (**Frz**).

The **Sec Status** window on the right will display the status of the Secondary and can be monitored with the Avenue PC alarm function.

- **Switch Pos** – the status window will indicate the current position of the protect switch. This window can be monitored by the Avenue PC alarm function.
- **Pri** – lights green when the Primary input is selected to the output. Click this control to select the Primary as the output.
- **Auto** – lights green when **Auto** is turned on. Switch **Auto** on and off with this switch control. When **Auto** is on, the module will automatically switch to the Secondary input if the Primary fails and the Secondary is good.
- **Sec** – lights red when the Secondary input is selected to the output. Press this switch control to select the Secondary as the output.
- **Auto Reset** – set to **On** or **Off** to determine if the switch will automatically switch back to the Primary after it recovers.
- **Reset Time** – set the amount of time the Primary signal must be good before the auto reset switches back to Primary from Secondary.

The **Config** menu shown below allows you to configure the various condition detectors:

- **TRS Test** – enables the test for any Timing Reference Signal (TRS) errors. **Off** sets the input for no TRS test, **Lenient** allows occasional TRS errors to be ignored (10 frames in a row), or **Strict** detects any TRS error as a fault.
- **Audio Detect** – enables the test for embedded audio. **On** detects an audio condition as determined by the settings made in the **Aud Detect** menu, or **Off** sets the input for no audio test.
- **Black Detect** – enables the test for black detection. **On** detects black present as defined by the settings made in the **Blk Detect** menu, or **Off** sets the input for no black test.
- **Freeze Test** – **On** enables the test for a freeze condition as determined by the settings chosen in the **Freeze** menu. Set to **Off** for no freeze test
- **Sec Test Enable** – enables the test for checking the status of the Secondary input. When **On**, the Secondary status will be checked for the same configuration tests as assigned for the Primary.

The screenshot shows a software interface with a menu bar at the top containing: Status, Config, Blk Detect, Aud Detect, Freeze, Pri Errors, Sec Errors, GPI, Inputs, Memory. The 'Config' menu is active, displaying five settings, each in a separate box with a dropdown arrow:

- TRS Test**: Lenient
- Audio Detect**: On
- Black Detect**: On
- Freeze Test**: On
- Sec Test Enable**: On

The **Blk Detect** menu shown below allows you to configure the following black detector parameters:

- **Window** – select **Big** or **Small**. **Big** examines nearly the entire raster. **Small** limits the test to a smaller portion of the raster (somewhat smaller than Safe Title limits).
- **Blk Time** – select the amount of time from one frame to 300 seconds that the signal must be continuously in black before the protect switch (and alarm) is generated.
- **Detect Level** – set the video value from 0 to 100 IRE, below which a pixel is considered to be black.
- **Blk Frac** – set the percentage of pixels in the detection window that must satisfy the detection level parameter.

The following status displays are also provided and can be monitored with Avenue PC alarms:

- **Pri Valid** – shows the portion of the Primary input which currently exceeds the **Detect Level** parameter. This display tracks the actual video content.
- **Sec Valid** – shows the portion of the Secondary input which currently exceeds the **Detect Level** parameter. This display tracks the actual video content.

The screenshot shows the 'Blk Detect' configuration menu within the Avenue PC software. The menu is part of a larger interface with tabs for 'Status', 'Config', 'Blk Detect', 'Aud Detect', 'Freeze', 'Pri Errors', 'Sec Errors', 'GPI', 'Inputs', and 'Memory'. The 'Blk Detect' tab is active. The configuration options are as follows:

- Window:** A dropdown menu set to 'Big'.
- Blk Time:** A numeric input field set to '3' with the unit 'secs', accompanied by left and right arrow buttons.
- Detect Level:** A numeric input field set to '10' with the unit 'IRE', accompanied by left and right arrow buttons.
- Blk Frac:** A numeric input field set to '5' with the unit 'pcnt', accompanied by left and right arrow buttons.
- Pri Valid:** A numeric input field set to '0' with the unit 'pcnt'.
- Sec Valid:** A numeric input field set to '0' with the unit 'pcnt'.

The **Aud Detect** menu shown below allows you to configure the following audio parameters:

- **Audio Group** – select which embedded audio group (**Group 1 – 4**) to detect.
- **Aud Thrsh** – select the silence detection level from 0 VU to –40 VU.

Note: An audio signal level of 0 VU corresponds to -20dBFs and is the generally accepted digital reference level for AES audio. The 5455 uses the standard weighting and ballistics of VU (Volume Unit) measurement rather than decibel-based measurement in order to more closely represent audio levels as perceived by the listener.

- **Audio Time** – set the time that the channels must be continuously silent before an alarm is triggered (0 – 20 seconds). Note that a loss of embedded audio will cause an immediate switch, regardless of this setting.
- **Ch1, Ch2, Ch3, Ch4** – enable or disable Channels 1 – 4. Each embedded group contains four audio channels. Sensing for each channel can be enabled separately.

The following status displays are also provided:

- **Pri Status** – shows the status of the four audio channels embedded in the Primary signal. Green indicates Channel OK, red indicates silence, and gray indicates channel not enabled. An **OK** indicator shows the overall result of the test for all the channels enabled.
- **Sec Status** – shows the status of the four audio channels embedded in the Secondary signal. Green indicates Channel OK, red indicates silence, and gray indicates channel not enabled. An **OK** indicator shows the overall result of the test for all the channels enabled.
- **Pri Aud Status** – shows the overall status of the audio channels embedded in the Primary signal. This window can be monitored by the Avenue PC alarm function.

The screenshot shows the 'Aud Detect' configuration menu. At the top, there are tabs for 'Status', 'Config', 'Blk Detect', 'Aud Detect', 'Freeze', 'Pri Errors', 'Sec Errors', 'GPI', 'Inputs', and 'Memory'. The 'Aud Detect' tab is active. The configuration options are:

- Audio Group:** A dropdown menu set to 'Group 1'.
- Aud Thrsh:** A dropdown menu set to '-20 VU'.
- Audio Time:** A numeric input field set to '3' with 'secs' to its right, and left and right arrow buttons.
- Channel Enablement:** Four checkboxes labeled 'Ch1', 'Ch2', 'Ch3', and 'Ch4'. Ch1 and Ch2 are checked (green), while Ch3 and Ch4 are unchecked (white).
- Pri Status:** A row of five indicators: Ch1 (green), Ch2 (green), Ch3 (gray), Ch4 (gray), and OK (green).
- Sec Status:** A row of five indicators: Ch1 (green), Ch2 (green), Ch3 (gray), Ch4 (gray), and OK (green).
- Pri Aud Status:** A text box containing the word 'Good'.
- Sec Aud Status:** A text box containing the word 'Good'.

Model 5455 Serial Digital Protection Switch

The **Freeze** menu shown below allows you to configure the following parameters for a video freeze condition:

- **Freeze Mode** – set the freeze detection to **Clean Source**, **Noisy Source**, or **Off**.
- **Freeze Time** – set the amount of time in seconds for the protect switch to switch to the Secondary input after a video freeze condition is detected.

The following status indicators can be monitored by Avenue PC alarm functions.

- **Pri Frz Status** – indicates the freeze status of the Primary as **Frozen** or **Un-Frozen**.
- **Sec Frz Status** – indicates the freeze status of the Secondary as **Frozen** or **Un-Frozen**.

Note: If either **Noisy Source** or **Clean Source** are selected, and Freeze test is set to **Off** in the **Configuration** menu, use of Avenue PC alarms is allowed without activating a switch to the Secondary Source. Primary and Secondary Freeze Error Counts are then active.

The screenshot shows the 'Freeze' configuration menu. At the top, there is a navigation bar with tabs for Status, Config, Blk Detect, Aud Detect, Freeze, Pri Errors, Sec Errors, GPI, Inputs, and Memory. The 'Freeze' tab is selected. Below the navigation bar, there are four main configuration areas:

- Freeze Mode:** A dropdown menu currently set to 'Clean Source'.
- Freeze Time:** A numeric input field set to '3' with 'secs' to its right, flanked by left and right arrow buttons for adjustment.
- Pri Frz Status:** A status indicator box showing 'Frozen'.
- Sec Frz Status:** A status indicator box showing 'Frozen'.

Model 5455 Serial Digital Protection Switch

The **Pri Errors** menu shown below displays the amount of time in seconds that each of the error conditions have been present after detection on the Primary as well as the number of times the Primary feed has switched to the Secondary feed (**Sec Sw Cnt**).

The error counters display the number of *cumulative* errors that have occurred since a counter was last reset. Errors may occur as a single event, or as multiple events over a period of time. Refer to the Avenue PC manual to learn how to use the alarms and logging capabilities of Avenue PC to obtain more detailed information on errors.

The upper limit for cumulative errors is 10,000. If an error counter reaches this upper limit, it will repeatedly cycle between 10,000 and 9,999. To reset the error counter, double-click it.

Status	Config	Blk Detect	Aud Detect	Freeze	Pri Errors	Sec Errors	GPI	Inputs	Memory
TRS ErrSec		BLK ErrSec		AUD ErrSec					
0 Cnt		4 Cnt		3 Cnt					
FRZ ErrSec		Sec Sw Cnt							
6 Cnt		0 Cnt							

Model 5455 Serial Digital Protection Switch

The **Sec Errors** menu shown below displays the amount of time in seconds that each of the enabled error conditions have been present after detection on the Secondary as well as the number of times the Primary feed has switched to the Secondary feed (**Sec Sw Cnt**).

The screenshot shows the 'Sec Errors' menu with the following error counts:

Error Condition	Count (Cnt)
TRS ErrSec	0
BLK ErrSec	4
AUD ErrSec	5
FRZ ErrSec	2
Sec Sw Cnt	0

The 5455 can be set up to allow an external device to trigger a switch through the GPI interface. The **GPI** menu screen shown below allows configuration of the two external GPI inputs to the module.

The Primary and Secondary GPI Modes can be set to one of the following:

- **Off** – disables the GPI input.
- **Neg Edge Switch** – switches on a low-going transition to the GPI input.
- **Ext Fault Low** – acts in conjunction with the status of the input signal to the module. In this case, a loss of proper signal to the module or a low signal detected from an external device will close the switch.
- **Ext Inhibit Low** – acts to prevent a switch regardless of the status of the input signal to the module. In this case, a loss of proper signal will not cause a switch.

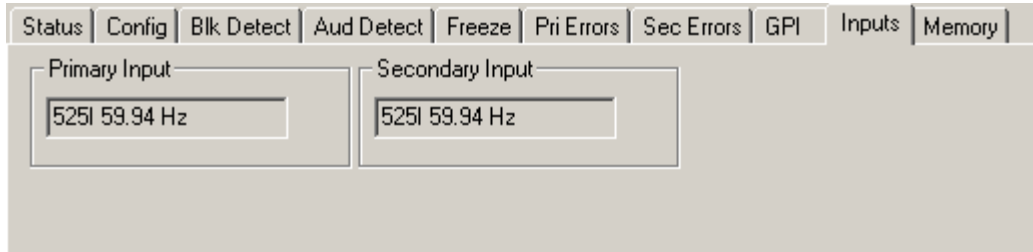
Status of the Pri GPI and Sec GPI inputs are indicated as **GPI is Low** or **GPI is High** in the **Pri GPI** and **Sec GPI Status** window.

The screenshot shows the 'GPI' menu with the following configuration and status:

Input	Mode	Status
Pri GPI	Neg Edge Switch	GPI is High
Sec GPI	Neg Edge Switch	GPI is High

The **Inputs** menu displays the type of signal detected on the Primary and Secondary inputs.

- **Primary Input** displays the signal type detected on the Primary Input connector.
- **Secondary Input** displays the signal type detected on the Secondary Input connector.



The **Memory** menu allows you to save and recall up to 5 different setups for the 5455 module as follows:

- Click **Save**, then one of the five memory registers **Reg 1 – 5**. The box will turn green. The entire module setup is now saved in the selected register.
- To recall a setup, click the register box. If there is information saved, the box will turn green. The saved setup will load into the module.



Avenue Touch Screen Remote Configuration

The Avenue Touch Screen remote control status menus for this module are illustrated and explained below. Refer to the **5455 Parameter Table** for a summary of available parameters that can be set remotely through the menus illustrated. For more information on using Avenue Touch Screen, refer to the Avenue Touch Screen data pack.

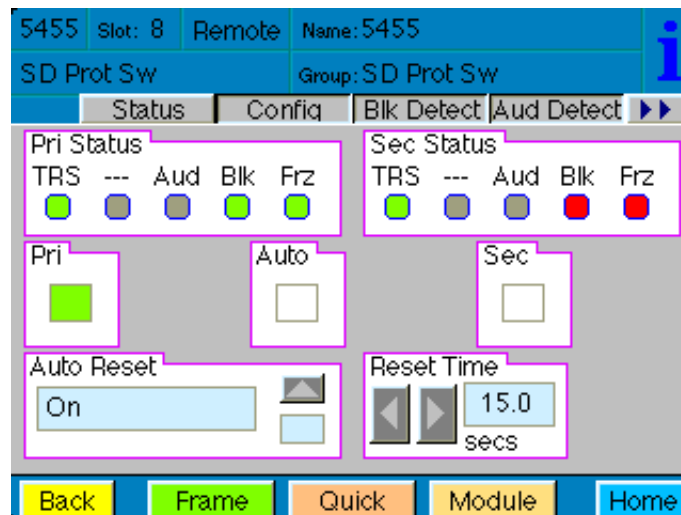
Parameter fields that are grayed out can indicate one of the following conditions:

- An option is not installed.
- The function is not active.
- The module is locked.
- The User Level set with Avenue PC is not accessible from the current User Level.

5455 Avenue Touch Screen Menus

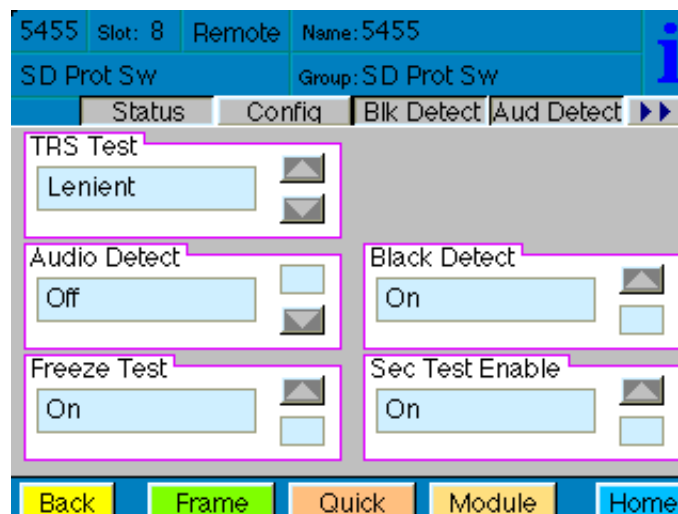
The **Status** menu displays the overall status of selected parameters on both the Primary and Secondary inputs as Green = Good, Red = Bad, Gray = Not enabled. It also allows you to set the Auto Reset and Reset Time controls for the switching function.

- **Pri Status** – shows the status of the Primary Timing Reference Signal (**TRS**), embedded audio present and correct (**Aud**), black detected as defined in the **Black Detect** menu (**Blk**), and if frozen video is detected as defined in the **Freeze** menu (**Frz**).
- **Sec Status** – shows the status of the Secondary Timing Reference Signal (**TRS**), embedded audio present and correct (**Aud**), and black detected as defined in the **Black Detect** menu (**Blk**), and if frozen video is detected as defined in the **Freeze** menu (**Frz**).
- **Pri** – lights green when the Primary input is selected to the output. Press this control to select the Primary as the output.
- **Auto** – lights green when **Auto** is turned on. Switch **Auto** on and off with this switch control. When **Auto** is on, the module will automatically switch to the Secondary input if the Primary fails and the Secondary is good.
- **Sec** – lights red when the Secondary input is selected to the output. Press this switch control to select the Secondary as the output.
- **Auto Reset** – set to **On** or **Off** to determine if the switch will automatically switch back to the Primary after it recovers.
- **Reset Time** – set the amount of time the Primary signal must be good before the auto reset switches back to Primary from Secondary.



The **Config** menu shown below allows you to configure the various condition detectors:

- **TRS Test** – enable the test for any Timing Reference Signal (TRS) errors. **Off** sets the input for no TRS test, **Lenient** allows occasional TRS errors to be ignored, or **Strict** detects any TRS error as a fault.
- **Audio Detect** – enable the test for embedded audio. **On** detects an audio condition as determined by the settings made in the **Aud Detect** menu, or **Off** sets the input for no audio test.
- **Black Detect** – enable the test for black detection. **On** detects black present as defined by the settings made in the **Blk Detect** menu, or **Off** sets the input for no black test.
- **Freeze Test** – **On** enables the test for a freeze condition as determined by the settings chosen in the **Freeze** menu. Set to **Off** for no freeze test.
- **Sec Test Enable** – enable the test for checking the status of the Secondary input. When **On**, the Secondary status will be checked for the same configuration tests as assigned for the Primary.

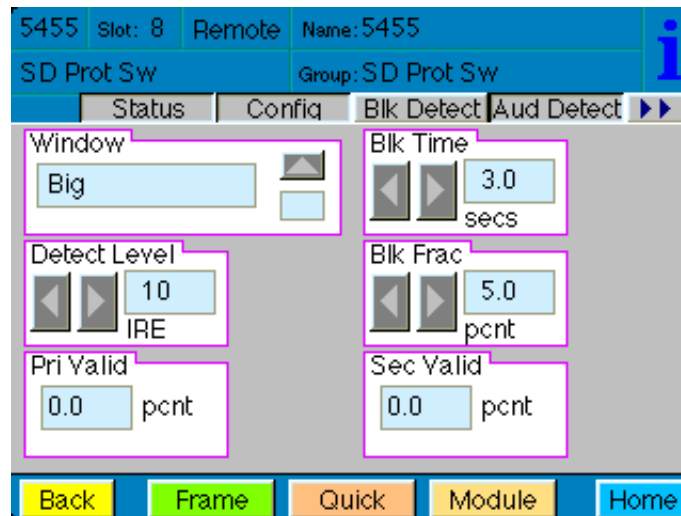


The **Blk Detect** menu shown below allows you to configure the following black detector parameters:

- **Window** – select **Big** or **Small**. **Big** examines nearly the entire raster. **Small** limits the test to a smaller portion of the raster (somewhat smaller than Safe Title limits).
- **Blk Time** – select the amount of time from one frame to 300 seconds that the signal must be continuously in black before the protect switch (and alarm) is generated.
- **Detect Level** – set the video value from 0 to 100 IRE, below which a pixel is considered to be black.
- **Blk Frac** – set the percentage of pixels in the detection window that must satisfy the detection level parameter.

The following status displays are also provided:

- **Pri Valid** – shows the portion of the Primary input which currently exceeds the Detect Level parameter. This display tracks the actual video content.
- **Sec Valid** – shows the portion of the Secondary input which currently exceeds the Detect Level parameter. This display tracks the actual video content.



The **Aud Detect** menu shown below allows you to configure the following audio parameters:

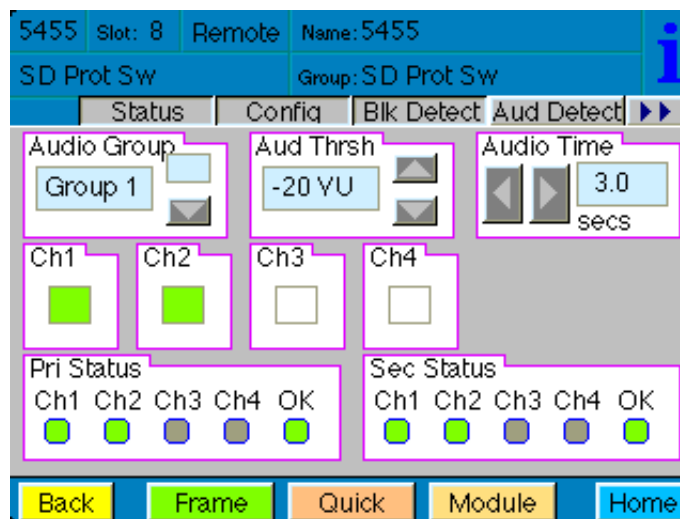
- **Audio Group** – select which embedded audio group (**Group 1 – 4**) to detect.
- **Aud Thrsh** – select the silence detection level from 0 VU to –40 VU.

Note: An audio signal level of 0 VU corresponds to -20dBFs and is the generally accepted digital reference level for AES audio. The 5455 uses the standard weighting and ballistics of VU (Volume Unit) measurement rather than decibel-based measurement in order to more closely represent audio levels as perceived by the listener.

- **Audio Time** – set the time that the channels must be continuously silent before an alarm is triggered (0 – 20 seconds). Note that a loss of embedded audio will cause an immediate switch, regardless of this setting.
- **Ch1, Ch2, Ch3, Ch4** – enable or disable Channels 1 – 4. Each embedded group contains four audio channels. Sensing for each channel can be enabled separately.

The following status displays are also provided:

- **Pri Status** – shows the status of the four audio channels embedded in the Primary signal. Green indicates Channel OK, red indicates silence, and gray indicates channel not enabled. An **OK** indicator shows the overall result of the test for all the channels enabled.
- **Sec Status** – shows the status of the four audio channels embedded in the Secondary signal. Green indicates Channel OK, red indicates silence, and gray indicates channel not enabled. An **OK** indicator shows the overall result of the test for all the channels enabled.



Model 5455 Serial Digital Protection Switch

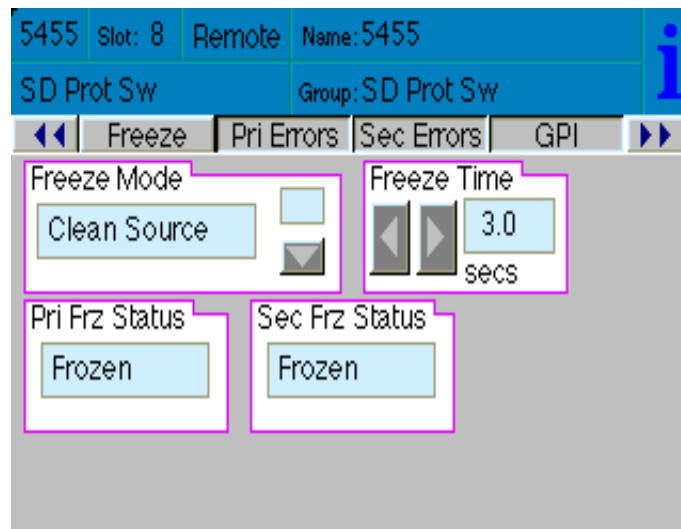
The **Freeze** menu shown below allows you to configure the following parameter for a video freeze condition:

- **Freeze Mode** – set the freeze detection for **Clean Source**, **Noisy Source**, or **Off**.
- **Freeze Time** – set the amount of time in seconds for the protect switch to switch to the Secondary input after a video freeze condition is detected.

The following indicators give Primary and Secondary freeze status:

- **Pri Frz Status** – indicates the freeze status of the Primary as **Frozen** or **Un-Frozen**.
- **Sec Frz Status** – indicates the freeze status of the Secondary as **Frozen** or **Un-Frozen**.

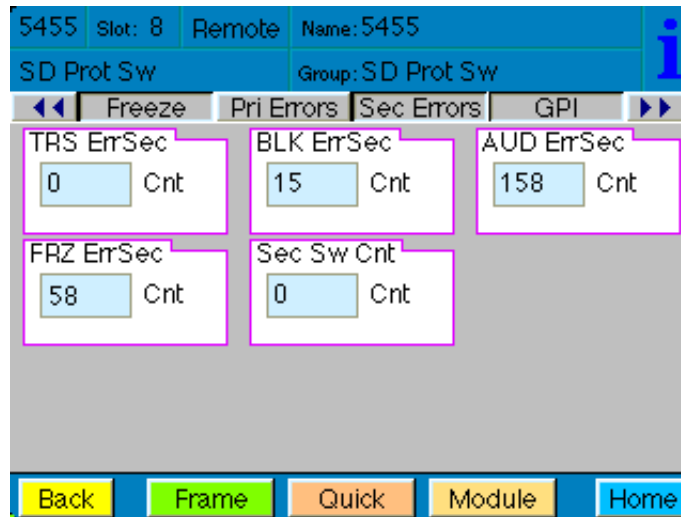
Note: If either **Noisy Source** or **Clean Source** are selected, with Freeze test set to **Off** in the Configuration menu, use of Avenue PC alarms is allowed without activating a switch to the Secondary Source. Primary and Secondary Freeze Error Counts are then active.



The **Pri Errors** menu shown below displays the amount of time in seconds that each of the error conditions have been present after detection on the Primary as well as the number of times the Primary feed has switched to the Secondary feed (**Sec Sw Cnt**).

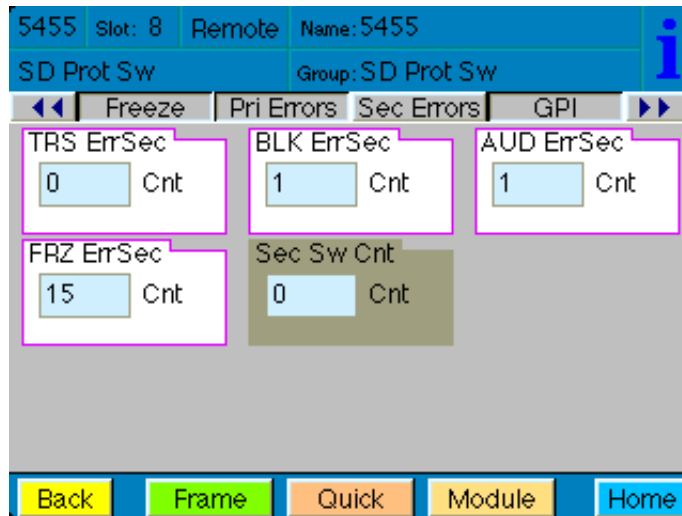
The error counters display the number of *cumulative* errors that have occurred since a counter was last reset. Errors may occur as a single event, or as multiple events over a period of time. Refer to the Avenue PC manual to learn how to use the alarms and logging capabilities of Avenue PC to obtain more detailed information on errors.

The upper limit for cumulative errors is 10,000. If an error counter reaches this upper limit, it will repeatedly cycle between 10,000 and 9,999. To reset the error counter, double-click it.



Model 5455 Serial Digital Protection Switch

The **Sec Errors** menu shown below displays the amount of time in seconds that each of the enabled error conditions have been present after detection on the Secondary and the number of times the Primary has switched to the Secondary (**Sec Sw Cnt**).



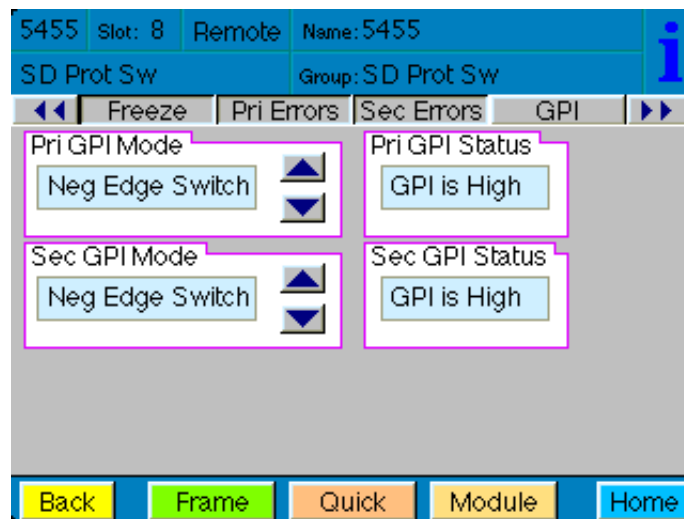
Model 5455 Serial Digital Protection Switch

The 5455 can be set up to allow an external device to trigger a switch through the GPI interface. The **GPI** menu screen shown below allows configuration of the two external GPI inputs to the module.

The Primary and Secondary GPI Modes can be set to one of the following:

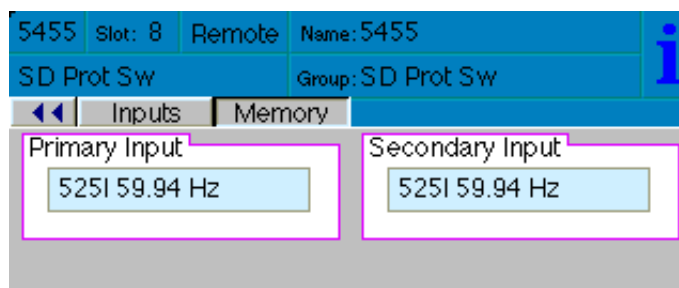
- **Off** – disables the GPI input.
- **Neg Edge Switch** – switches on a low-going transition to the GPI input.
- **Ext Fault Low** – acts in conjunction with the status of the input signal to the module. In this case, a loss of proper signal to the module or a low signal detected from an external device will close the switch.
- **Ext Inhibit Low** – acts to prevent a switch regardless of the status of the input signal to the module. In this case, a loss of proper signal will not cause a switch.

Status of the Pri GPI and Sec GPI inputs are indicated as **GPI is Low** or **GPI is High** in the **Pri GPI** and **Sec GPI Status** window.



The **Inputs** menu displays the type of signal detected on the Primary and Secondary inputs.

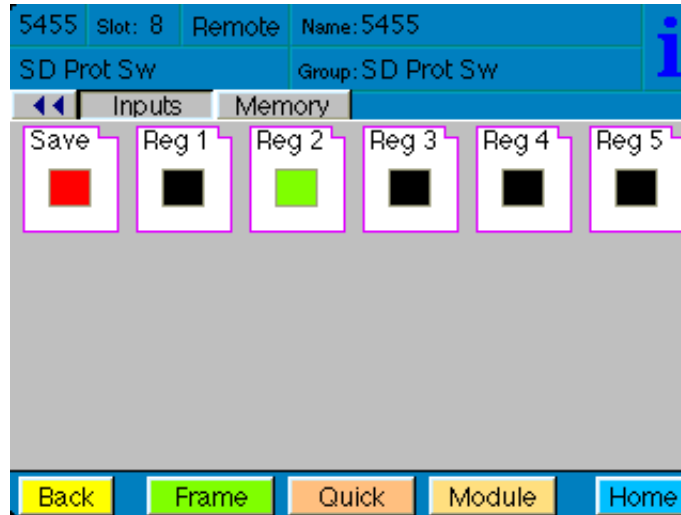
- **Primary Input** displays the signal type detected on the Primary Input connector.
- **Secondary Input** displays the signal type detected on the Secondary Input connector.



Model 5455 Serial Digital Protection Switch

The **Memory** menu allows you to save and recall up to 5 different setups for the 5455 module as follows:

- Select **Save**, then one of the five memory registers **Reg 1 – 5**. The box will turn green. The entire module setup is now saved in the selected register.
- To recall a setup, select the register box. If there is information saved, the box will turn green. The saved setup will load into the module.



TROUBLESHOOTING

As a troubleshooting aid, reference signal status and presence, as well as power and CPU status can be easily monitored from the front panel of the 5455 module using the front panel indicators.

Refer to the troubleshooting tips below:

Can't control module:

- Check status of CPU **Run** green LED. Should be blinking slowly and in unison with other modules if System module is present. If not, try removing it and plugging it in again to be sure it is seated properly.
- System module may not be working properly if installed.

Module remote controls are grayed out:

- Module is locked or access to module controls is restricted by User Level.

No signal out of module:

- Check status of **Active** LEDs. Primary or Secondary should be lit. If not, check the inputs for signal presence and quality.
- Check cabling to input of the module.

Input says "No Input":

- Be sure a standard definition serial digital signal is connected to the input. This module does not support ASI or HD (use 7460 module for ASI and HD).

Please also refer to the technical support section of the Ensemble Designs web site for the latest information on your equipment at the URL below:

<http://www.ensembledesigns.com/support>

SOFTWARE UPDATES

Software updates for each module can be downloaded remotely if the optional System Control module is installed. These can be downloaded onto your PC, then Avenue PC will distribute the update to the individual module. (Refer to the Avenue PC documentation for more information) Updates are periodically posted on the Ensemble Designs web site. If you do not have the required System Control Module and Avenue PC, modules can be sent back to the factory for software upgrades.

WARRANTY AND FACTORY SERVICE

Warranty

This module is covered by a five year limited warranty, as stated in the main Preface of this manual. If you require service (under warranty or not), please contact Ensemble Designs and ask for customer service before you return the unit. This will allow the service technician to provide any other suggestions for identifying the problem and recommend possible solutions.

Factory Service

If you return equipment for repair, please get a Return Material Authorization Number (RMA) from the factory first.

Ship the product and a written description of the problem to:

Ensemble Designs, Inc.
Attention: Customer Service RMA #####
870 Gold Flat Rd.
Nevada City, CA. 95959 USA
(530) 478-1830
Fax: (530) 478-1832
service@ensembledesigns.com
<http://www.ensembledesigns.com>

Be sure to put your RMA number on the outside of the box.

SPECIFICATIONS

Serial Digital Input

Number	Two
Type	SD Serial Digital 270 Mb/s SMPTE 259M 625i 50 or 525i 59.94

Serial Digital Loopback

Number	Two total One primary One secondary
Impedance	75 Ω

Serial Output Signal

Number	Six total One Fail-safe bypass output Five outputs
Signal Type	SD Serial Digital 270 Mb/s
Impedance	75 Ω

General Specifications

Power Consumption	<7.0 watts
Temperature Range	0 to 40° C ambient (all specs met)
Relative Humidity	0 to 95% non-condensing
Altitude	0 to 10,000 ft.
Fusing	4 each 0.75 Amp PTC resettable fuse with each domain of the module independently regulated.

Due to ongoing product development, all specifications subject to change.